

Bantam - S



MOCK BOX MANUAL

©2020 RESTOMOD AIR

PLANNING INSTALL

If your vehicle has been or is being modified, some procedures will need to be adjusted to fit your particular application. Read below before cutting/drilling. Since this is a custom installation that will vary based on your particular vehicle, many of our procedures can be viewed as suggestions. Your personal preferences will play a major role in the actual installation.

LOCATION OF THE UNIT

The Bantam-S is designed for vehicles that have “flat/shaved/smoothed” firewalls. If you have not done this you might want to make a firewall plate before starting the install.

- leave a min. of 1½”-2” above unit for dash and defrost duct hose connections
- leave a min. of 6“-9” right of the unit for a/c and heater hoses to enter the engine bay
- keep in mind ECU wires are designed to mount near the a/c unit
- make sure unit is level

LOCATION OF THE DRAIN TUBE

IMPORTANT

Condensation forms when the compressor is active. Water exiting the evaporator uses gravity to evacuate. Water does not travel upwards.

- location of the drain tube hole must be below the unit
- use the supplied grommet and 90° elbow to create a tight seal

TIP Most custom installers will not want the water exit to be on the firewall and choose the passenger kick panel instead. Make sure water actually exits the kick panel area and it does not collect in the cavity between inner kick panel and outer fender.

LOCATION OF HOSES TO ENGINE COMPARTMENT

- the Bantam-S has heater and a/c connections
- use bulkhead plate as a drill template

LOCATION OF DEFROST

When running defrost ducting, make certain to cycle the windshield wipers. Duct hose can be damaged by moving wiper arms.

LOCATION OF FLOOR DUCTS

The Banta-S has built in floor ducts. Heat is non-directional so location isn't that important just make sure the air is pointed down towards driver & passenger footwell.

LOCATION OF VENTS

- plan one vent for the driver, one vent for the passenger and one vent in the center
- vents must be mounted where the air will be felt on passengers so odd locations such as kickpanels are not ideal

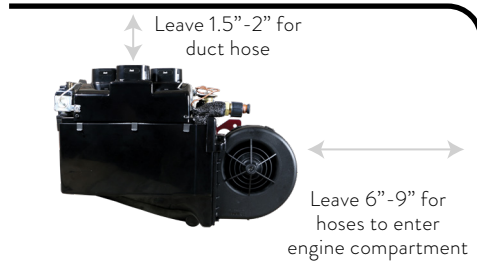
The location of a/c vents are the single most important decision to be made during planning & install. Remember, a/c IS directional. Placement of vents is critical to comfort for driver & passenger. The vent must be close to occupant or they will not be cool & comfortable.



VEHICLE MOUNTING

FIREWALL MOUNTING

The most common place to mount the Bantam-S is on the firewall behind the glovebox opening.

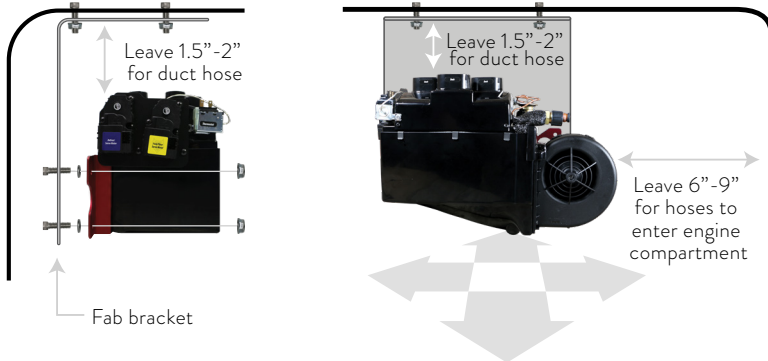


CUSTOM COWL MOUNTING

In some situations, installers do not want to mount to a painted firewall. We recommend mounting from the inner cowl area found on some vehicles. Build a bracket that will “hang” the Bantam-S from above and secure from side to side movement. **More than one bracket will be needed.**

IMPORTANT

Beware: before mounting, make sure you are aware of what you are mounting to.



IMPORTANT

Make certain the Bantam - S is secure from all movement.

DRAIN TUBE

IMPORTANT

It's crucial the drain tube is angled down for water to drain - water flows down!

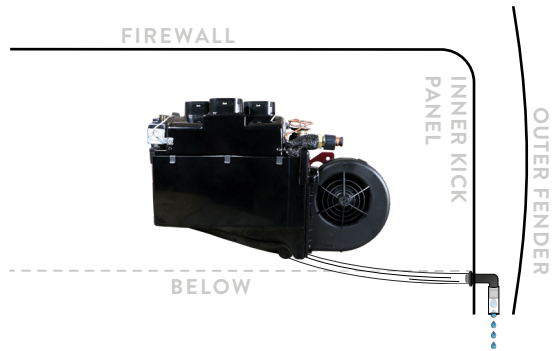
FIREWALL

Drain tube must be below the drain nipple.



KICK PANEL

Most custom installers will not want the water exit to be on the firewall and choose the passenger kick panel instead. Make sure water actually exits the kick panel area and it does not collect in the cavity between inner kick panel and outer fender.





HOSES

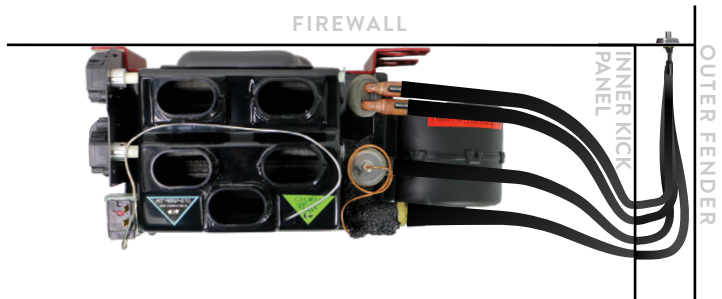
FIREWALL WITH BULKHEAD/GROMMETS

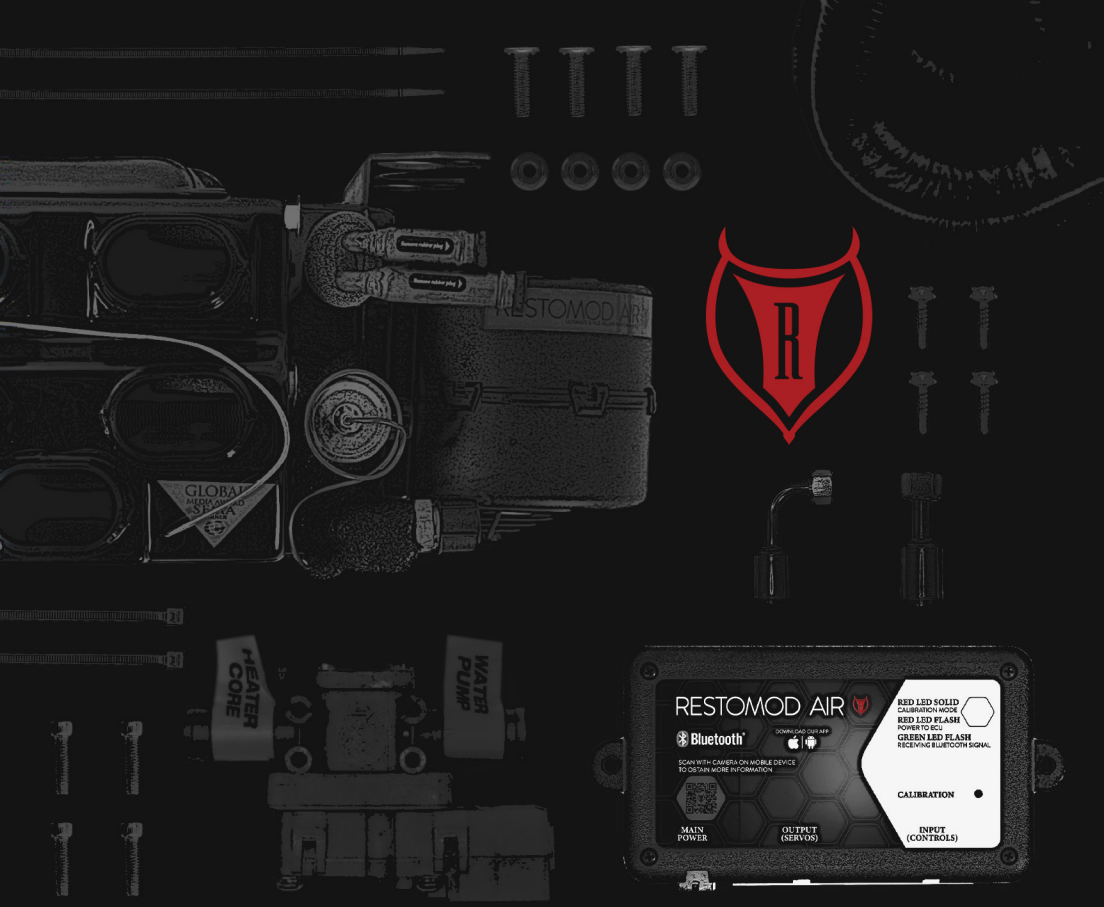
Most common



KICK PANEL WITH BULKHEAD/GROMMETS

Some installers choose to run hoses in the far fender area via the inner kick panel. Additional length hoses will be needed (not supplied.) You will have 2 seals when going through kick panel.





Bantam - S

